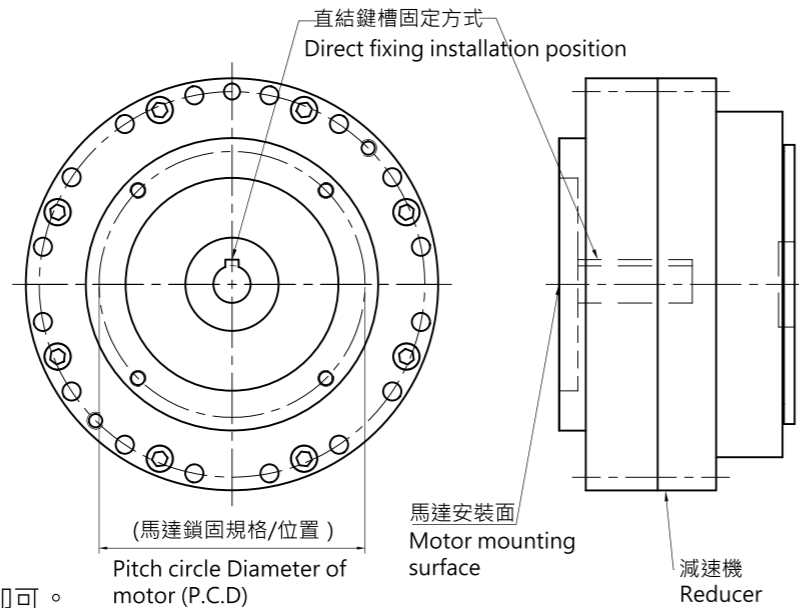


安裝方式選項:

MOTOR MOUNTING SELECTIONS:



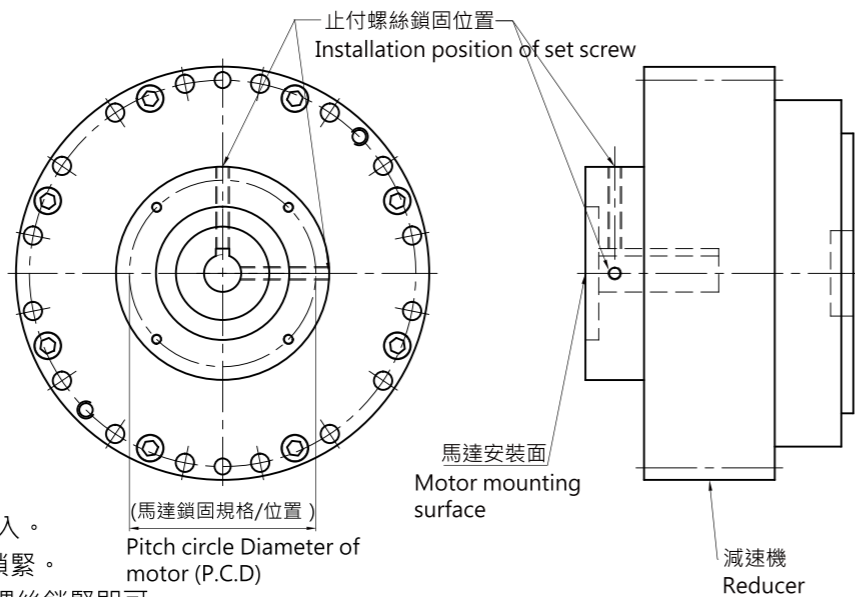
● D-直結式 D-Direct fixed type



1. 馬達軸心鍵與減速機入力軸鍵槽對齊置入。
2. 馬達與減速機結合後將馬達上4根螺絲鎖緊即可。

1. Place motor shaft key and reducer input shaft key way in a straight line, and insert motor shaft into reducer input shaft.
2. After connection of motor and reducer, tighten four screws into hex-socket cap screw holes.

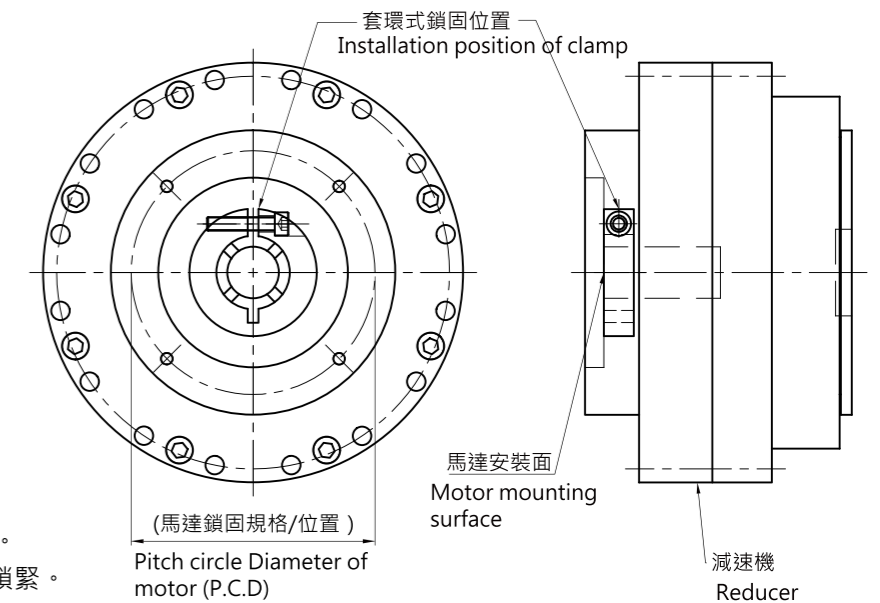
● S-止付式 S-Set screw fixed type



1. 馬達軸心鍵與減速機入力軸鍵槽對齊置入。
2. 馬達與減速機結合後將馬達上4根螺絲鎖緊。
3. 使用T型扳手將減速機入力軸內的止付螺絲鎖緊即可。

1. Place motor shaft key and reducer input shaft key way in a straight line, and insert motor shaft into reducer input shaft.
2. After connection of motor and reducer, tighten four screws into hex-socket cap screw holes.
3. Fix the set screw on reducer input shaft by T-type spanner.

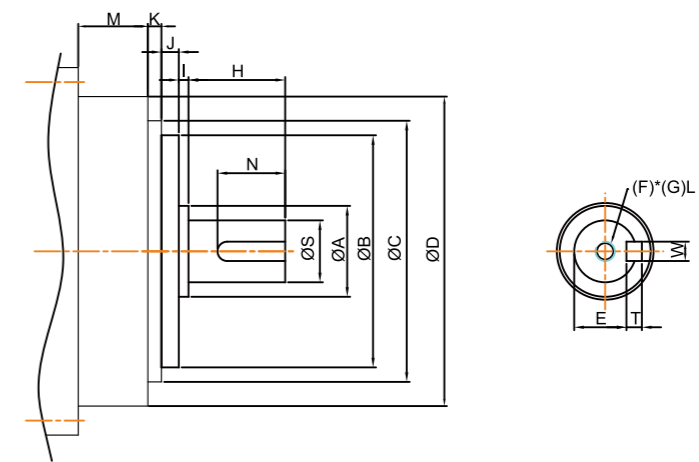
● L-束緊式: L-Clamp fixed type



1. 馬達軸心鍵與減速機入力軸鍵槽對齊置入。
2. 馬達與減速機結合後，將馬達上4根螺絲鎖緊。
3. 使用T型扳手將入力軸束緊環鎖緊即可。

1. Place motor shaft key and reducer input shaft key way in a straight line, and insert motor shaft into reducer input shaft.
2. After connection of motor and reducer, tighten four screws into hex-socket cap screw holes.
3. Tighten the clamp of reducer input shaft by T-type spanner.

出力方式：S-出力軸
Output type : S-Shaft



Model TTRA	M	K	J	I	H	N	A	B	C	D	S	W	T	E	F	G
7E	21	3	12	3	35	30	40	80	86	106	28	8	7	24	M8	15
25E	25	4.5	12	3	55	49	54	85	105	130	38	10	8	33	M8	15
45E	36	7	15	5	90	80	80	120	135	160	60	18	11	53	M10	18
135E	47.5	7.1	15	5	90	80	80	140	145	228	60	18	11	53	M10	18
165E	51	8	20	5	105	95	90	204	204	240	70	20	12	62.5	M12	24
325E	63.5	8	20	5	130	120	110	230	245	284	90	25	14	81	M16	30
450E	64	8	25	5	165	155	120	275	275	328	100	28	16	90	M20	40